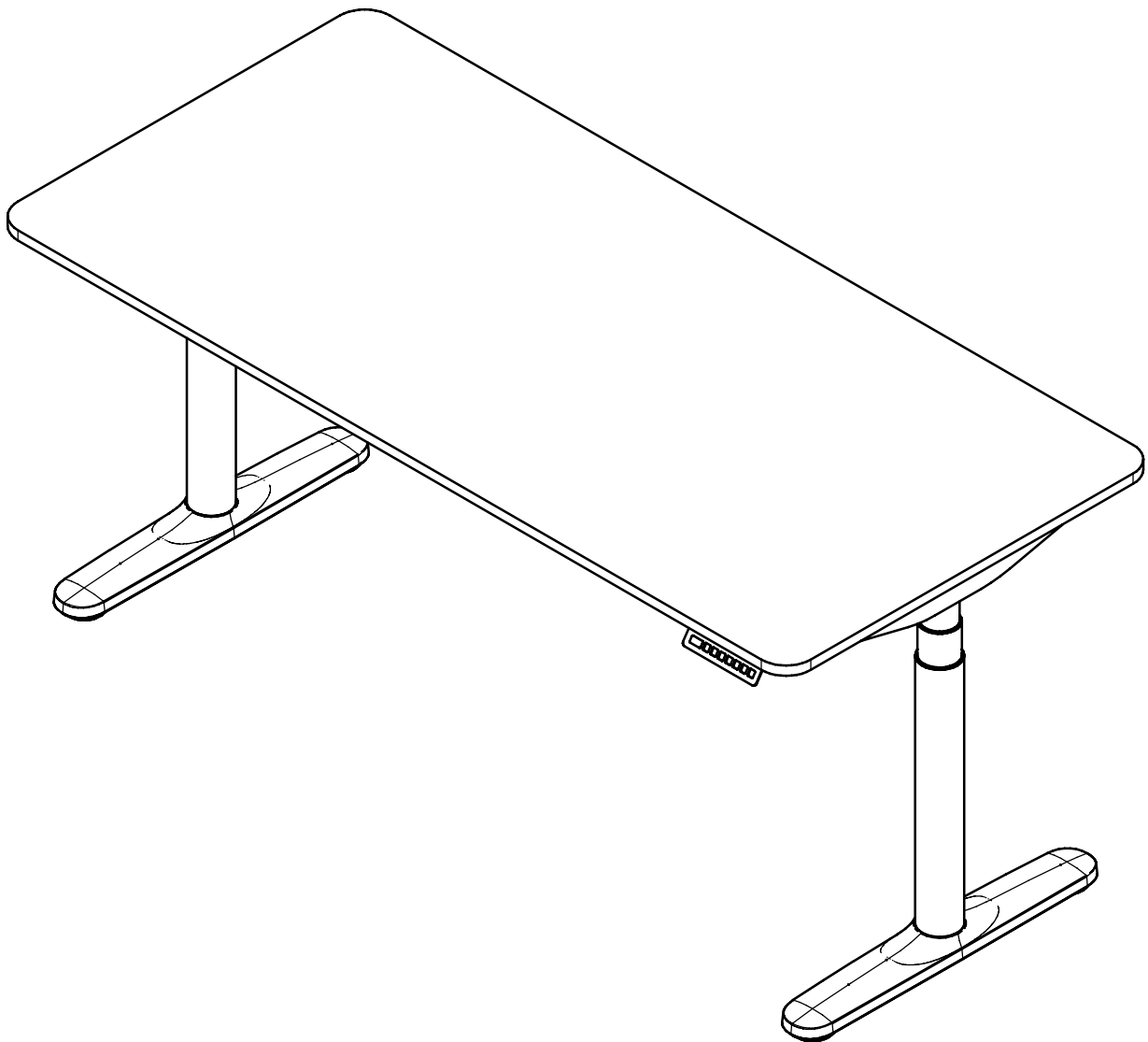


WORK FROM HOME DESK

User Guide



Contents

Warranty

Assembly Guide

Operating Instructions

ZENITH PRODUCT WARRANTY – WORK FROM HOME DESKS

Period of Warranty: 10 Years

Zenith warrants its products are free from defects in materials and workmanship for a period of 10 years from date of delivery. During the applicable warranty period, Zenith will repair or replace (at its discretion) any product, part or component covered by this warranty which fails under normal use as a result of a defect in material or workmanship with a comparable product (at its discretion).

All warranty claims must be communicated directly to Zenith. This warranty covers the sale of Zenith Interiors products in all countries but only extends to the original purchasers. Any misuse, abuse or modification to the original product voids the warranty. Zenith does not warrant the performance of the product when used in combination with anything other than original Zenith or approved third party products.

Our products, whenever appropriate, are designed to improve your environment and carry sustainable and functional product compliance.

EXCEPTIONS

Period of Warranty: 2 Years

- Electrical desk adjustments
- Electrical components
- Worktops

EXCLUSIONS

- Any damage arising from water, heat and or direct sunlight
- Improper transportation and installation after original installation
- Claims for any other associated cost from the user
- Changes in surface finishes due to ageing or exposure to lights
- Failure resulting from normal wear and tear
- Matching of colours, grains or textures of natural products
- The colourfastness or the matching of colours of textiles, including an exact match to cuttings, samples or swatch cards
- Damage caused from improper storage
- Assembly not in accordance with the assembly instructions included


















Warranty does not apply to product failure resulting from:

- Normal wear and tear
- Abuse, misuse, accident or repeated knocks
- Alteration or modification of the product
- Damage caused by a carrier other than Zenith
- Products not installed by or under the auspices of a certified dealer of Zenith
- The substitution of any unauthorized non-Zenith components used in place of Zenith components in an integrated product solution
- Claims for any other associated costs from the end user, including claims for reimbursement for any work carried by an unauthorised third party

All replacement parts warranty is applicable from the date of delivery to the customers. Parts used to repair a product under warranty are covered to the end date of the original warranty period only.

Zenith reserves the right to perform an onsite inspection of the defected item, request the product be returned for further testing or provide photographic evidence of product failure prior to any warranty claim being finalised.

Assembly Guide

 <p>Make sure no obstacles are in the desk's path. Make sure the desktop is not touching any walls. Make sure all cords are appropriate length to accommodate the change in height.</p> 		<p>WARNING</p> <p>Pinch Point Keep hands and fingers clear.</p>
 <p>Keep children away from electric height-adjustable desks, control units and handsets. There is a risk of injury and electric shock.</p> 		
 <p>Keep all electrical components away from liquids.</p> 		
 <p>Do not sit or stand on the desk frame. Do not crawl or lie under the desk frame.</p> 		
 <p>Do not place any objects taller than 20" underneath the desk.</p> 		
 <p>Do not open any of the components - the Legs, Control Box, or Switch. There is a danger of electric shock.</p> 		
 <p>This product is designed with a duty cycle of 10% (2 min. on, 18 min. off).</p> 		
 <p>In the event of a power outage or if the power cord is unplugged, a manual reset may be necessary - see USE section.</p> 		



USE / LIABILITY

This height adjustable desk has electric motors and is designed for use in dry work areas only.

The desk height is adjustable so that it can be positioned at the most ergonomically suitable height.

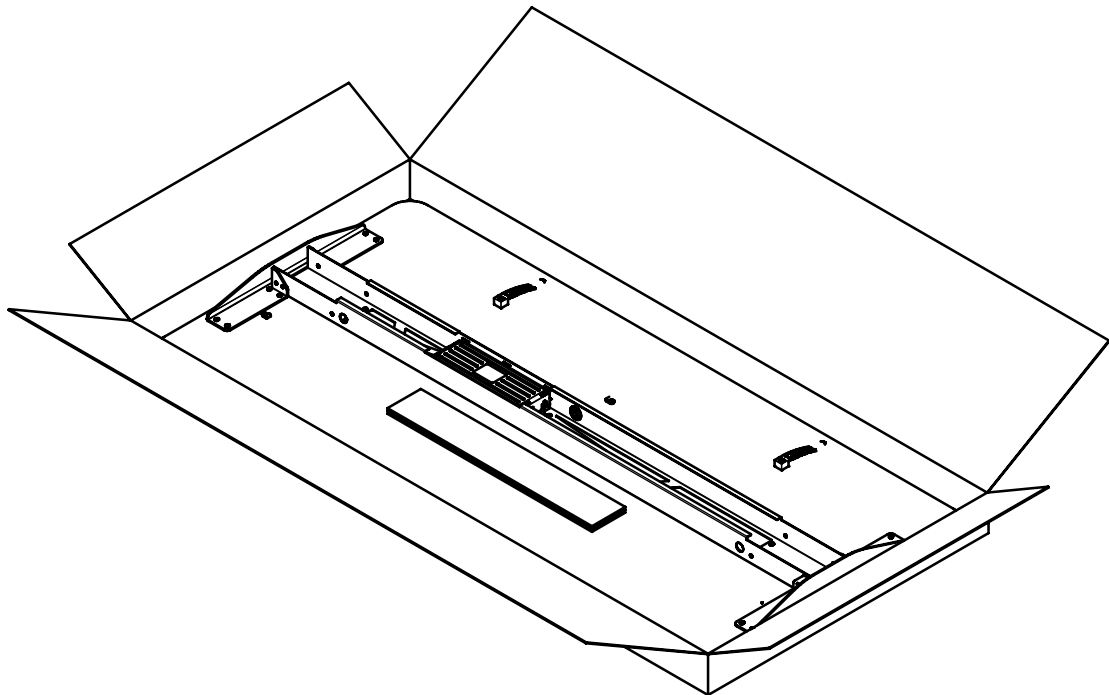
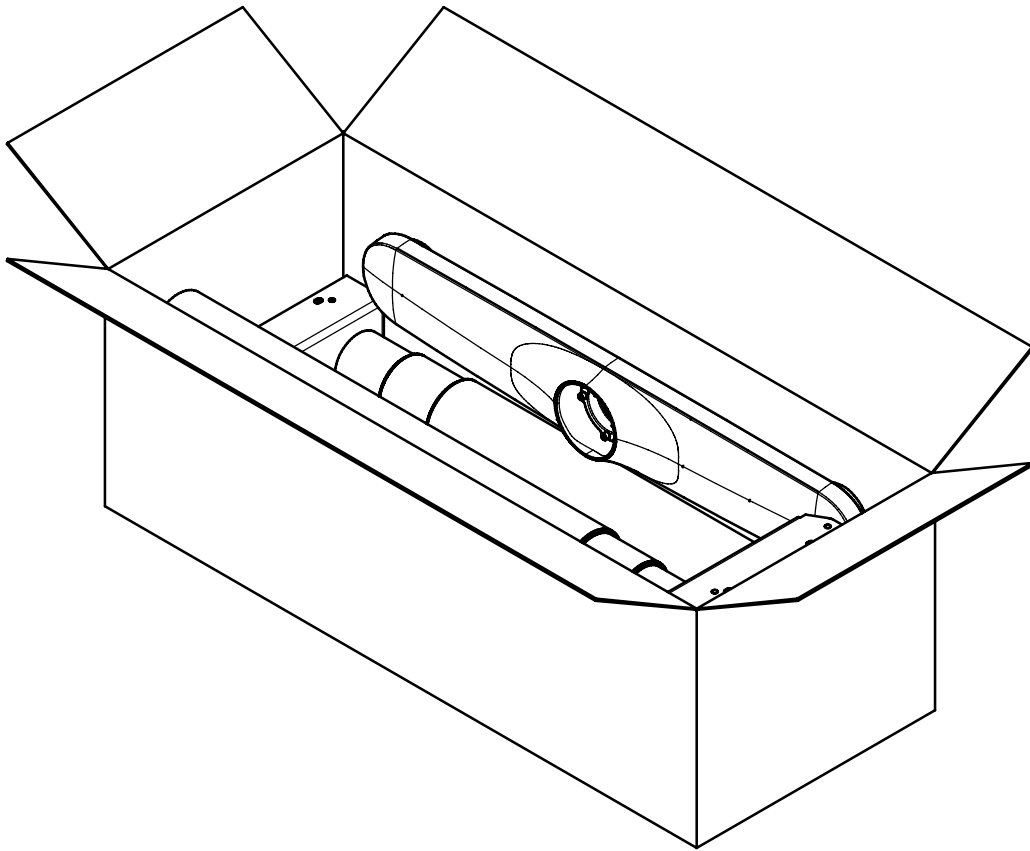
Any other use is at user's risk.

Under no circumstances does the manufacturer accept warranty claims or liability claims for damages caused from improper use or handling of the desk frame.

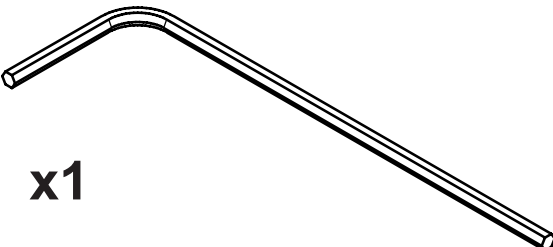

 Make sure no obstacles are in the desk's path.
 
 Make sure the desktop is not touching any walls.

 Make sure all cords are appropriate length to accommodate the change in height.

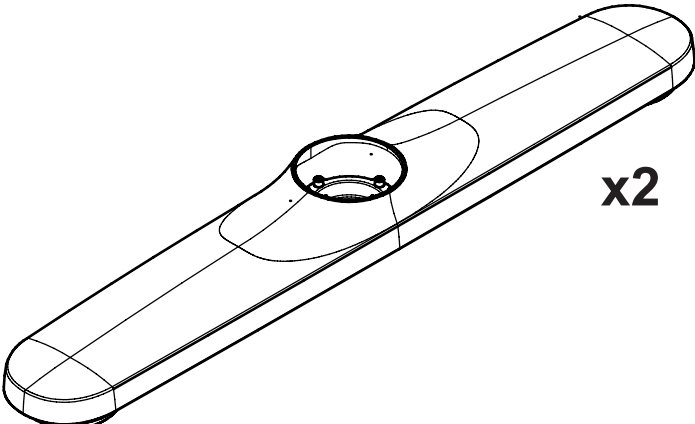
Box Quantity: 2



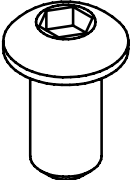
Hardware



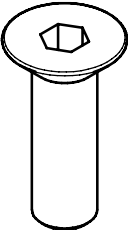
x1



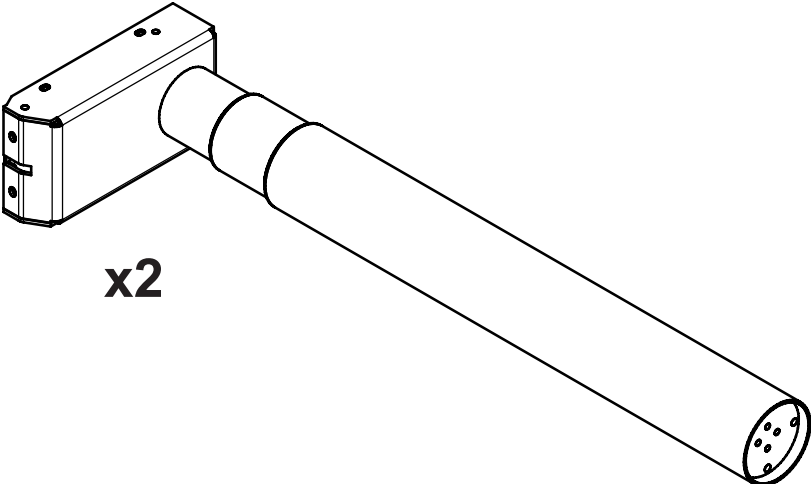
x2



x8

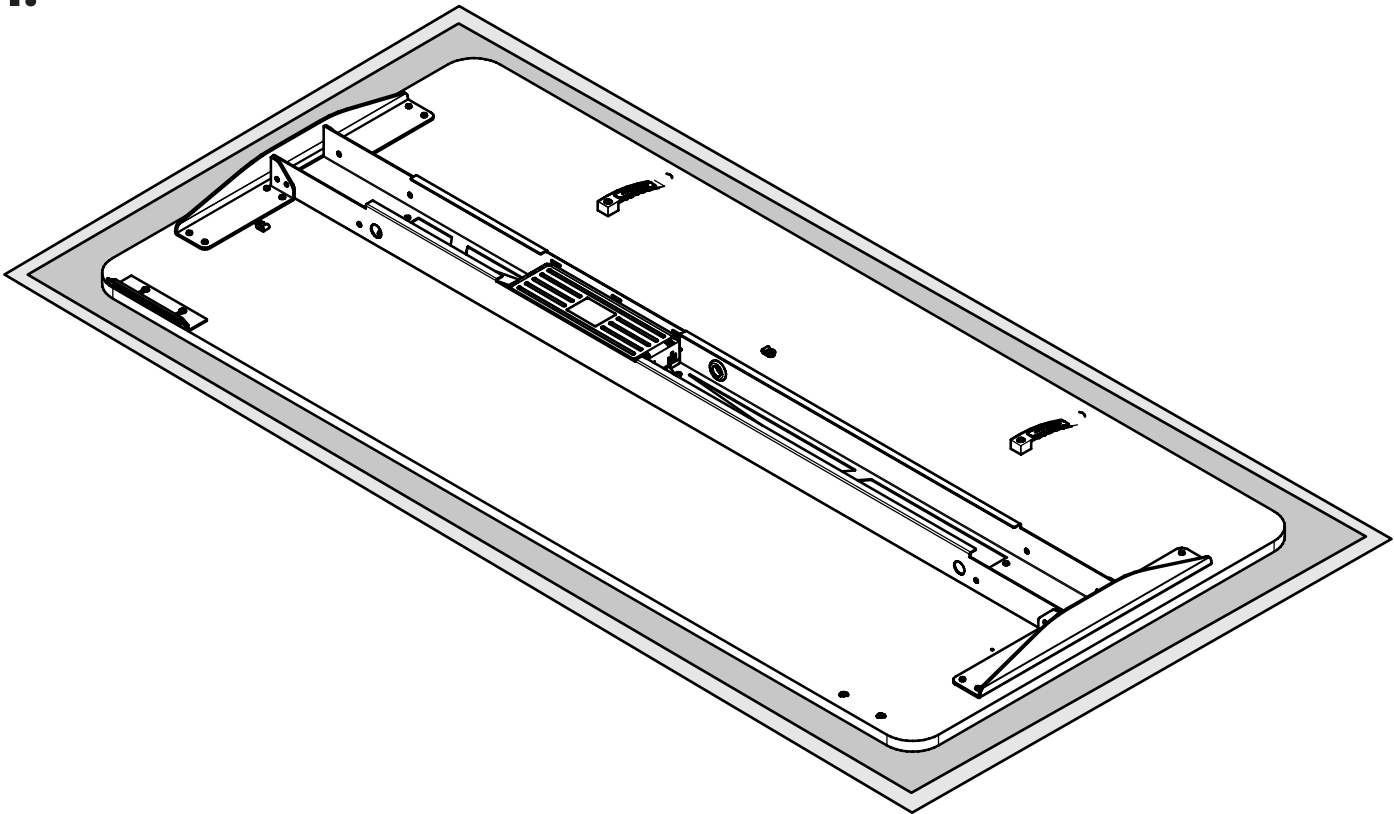


x8

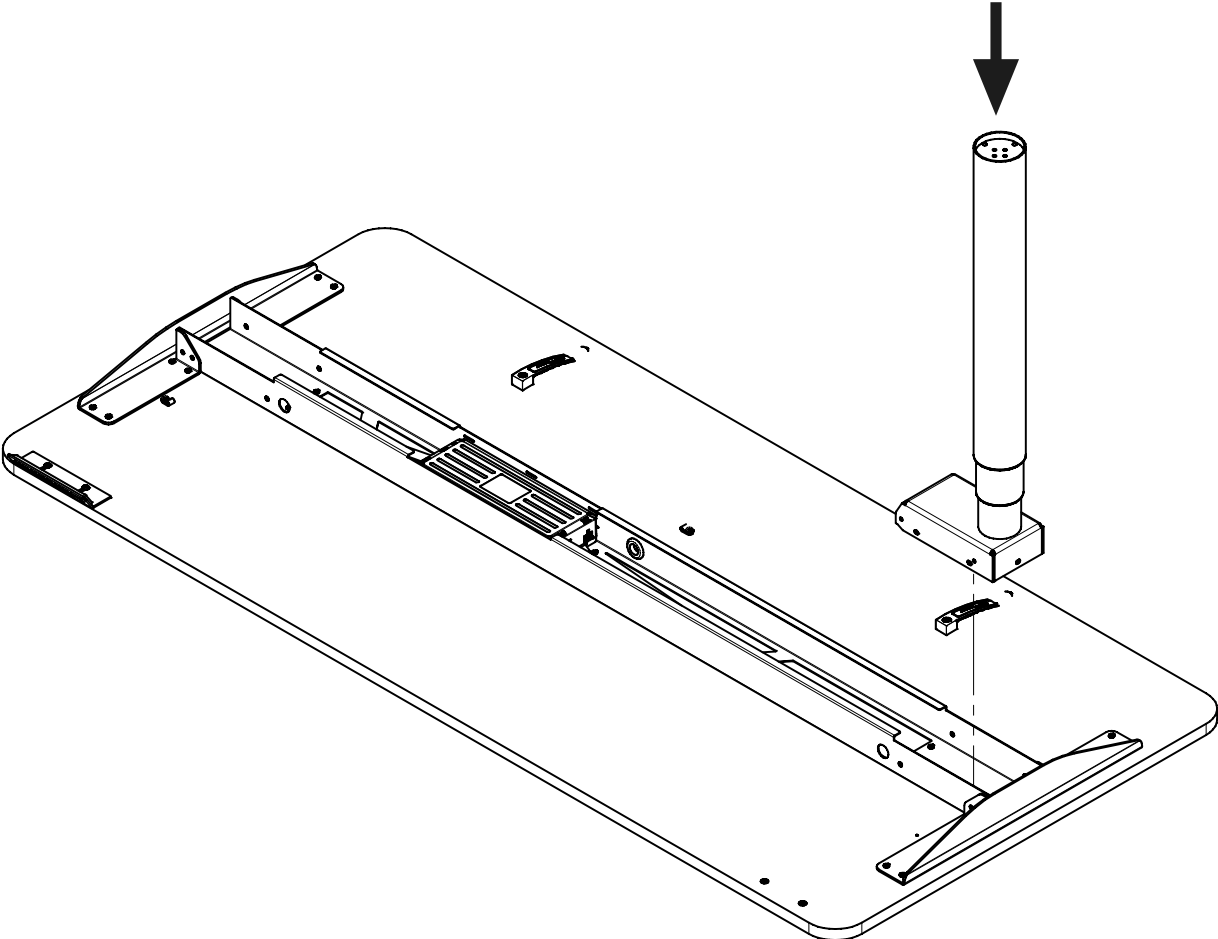


x2

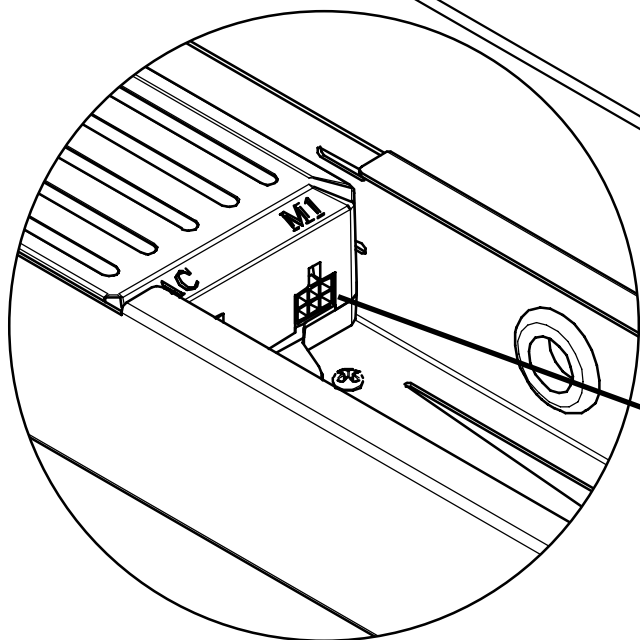
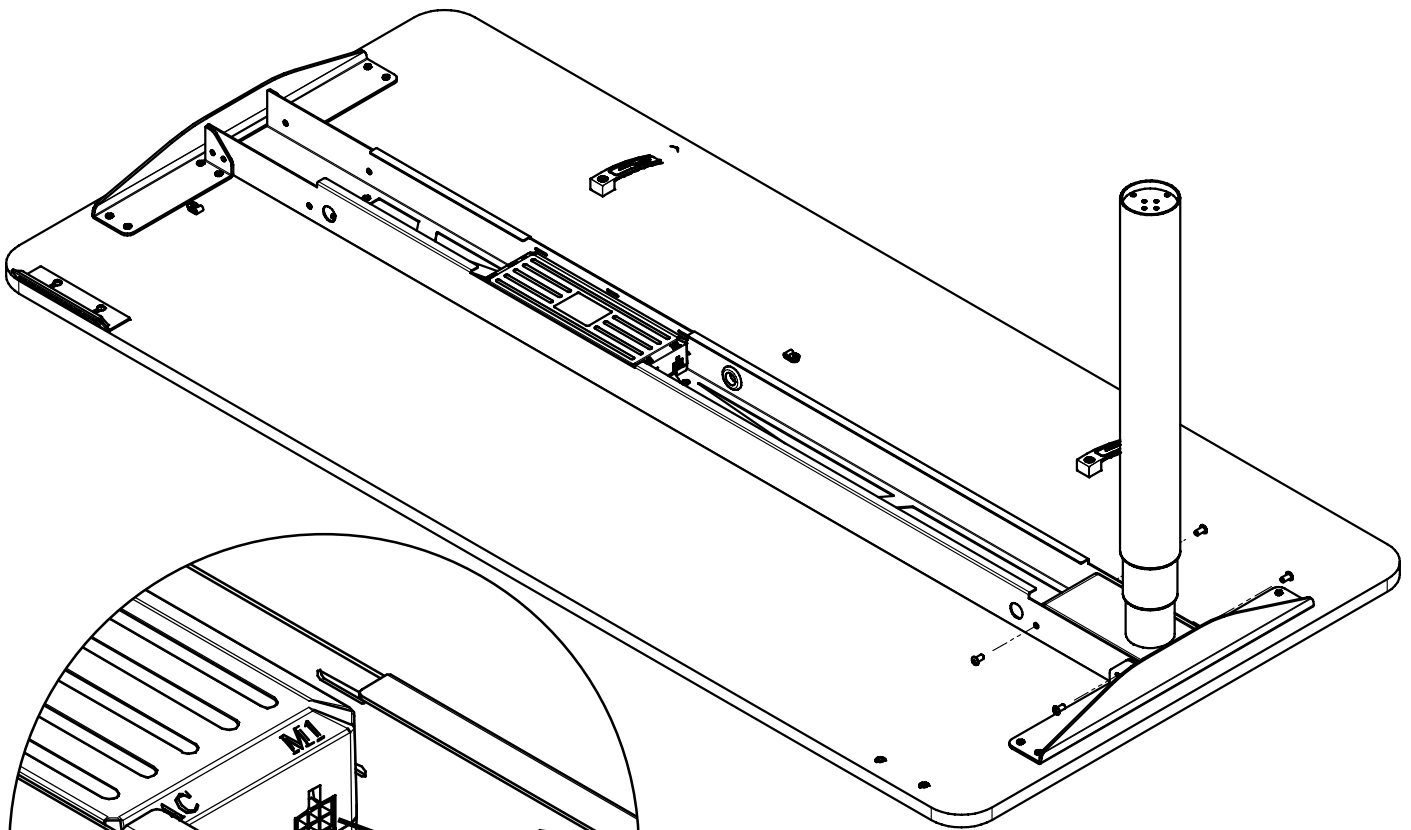
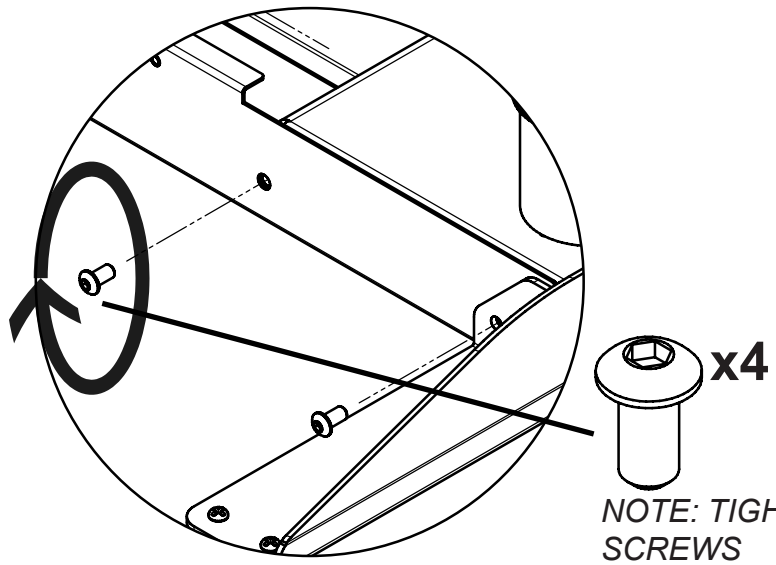
1.



2.

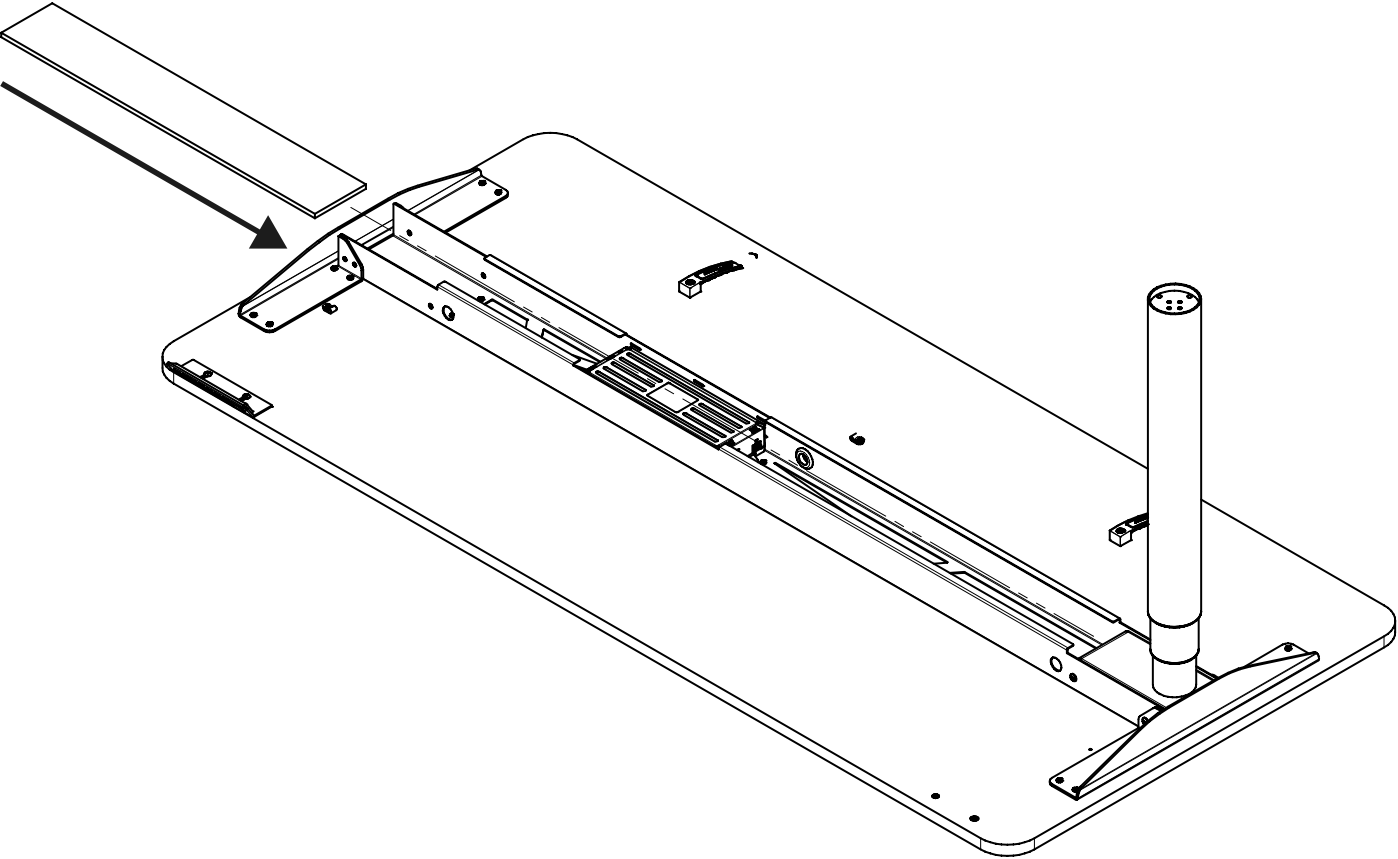


3.

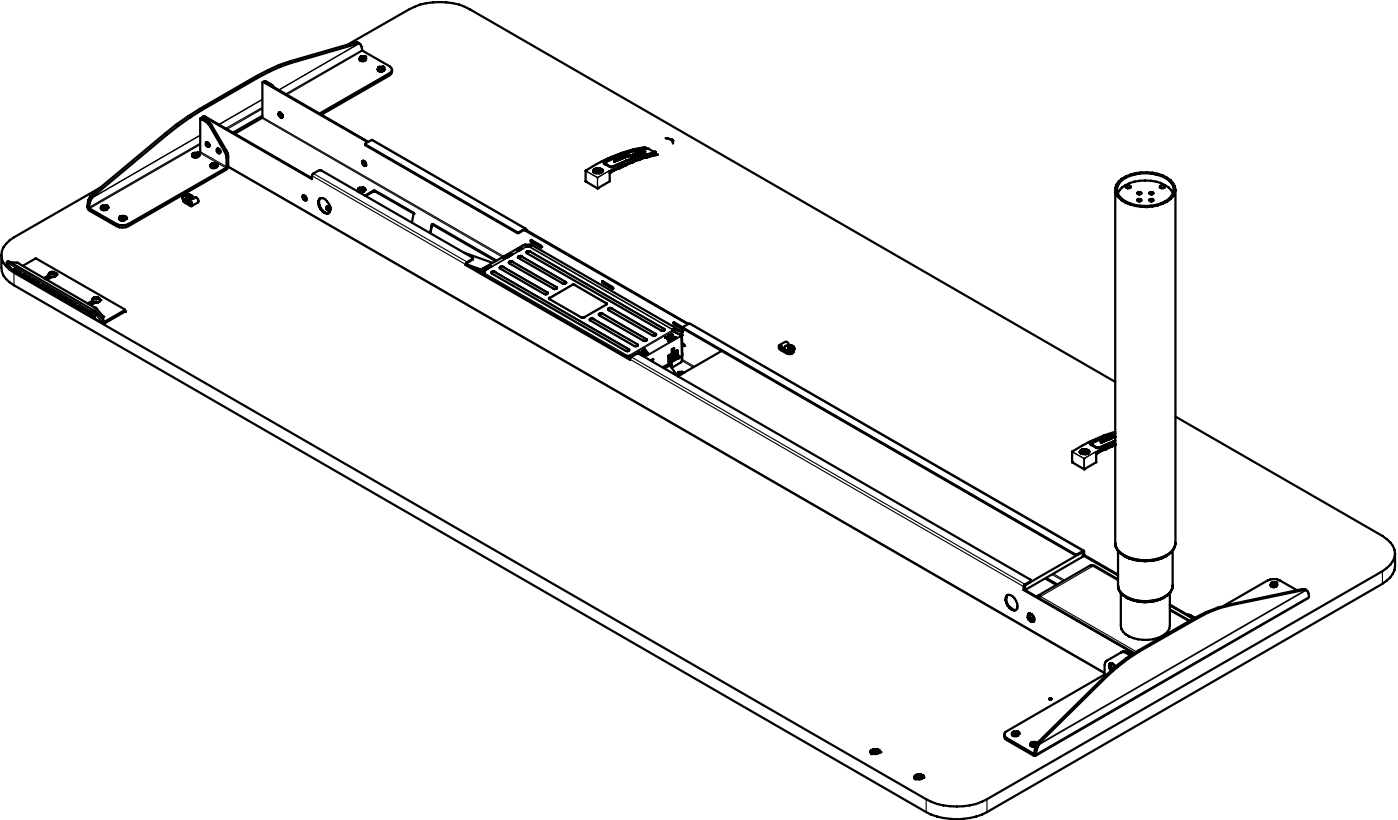


PLUG IN LEG CABLE TO M1

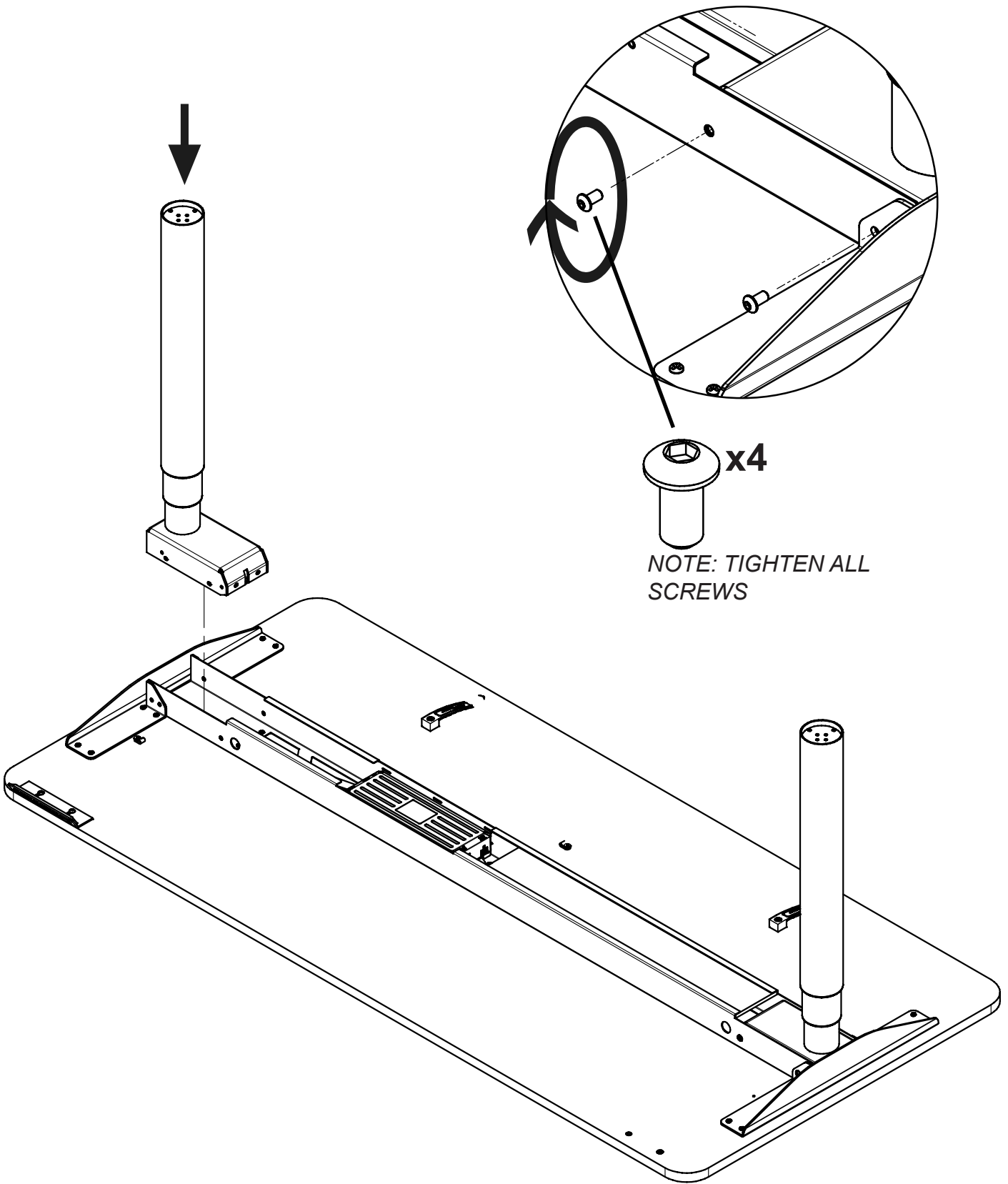
4a.



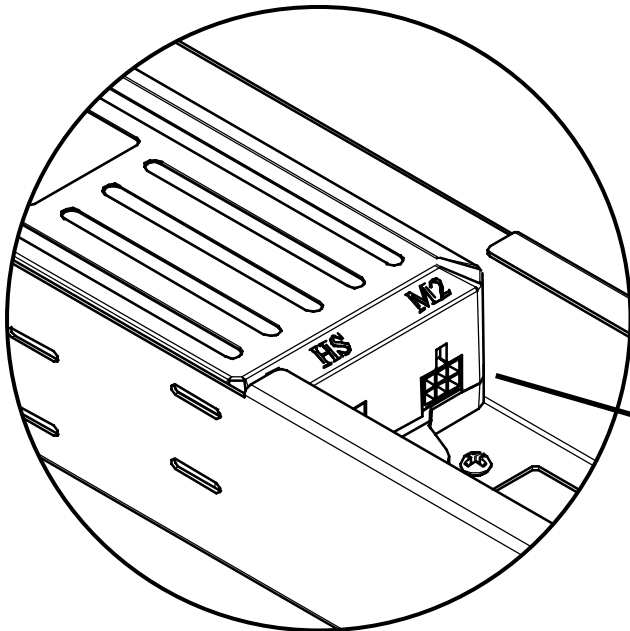
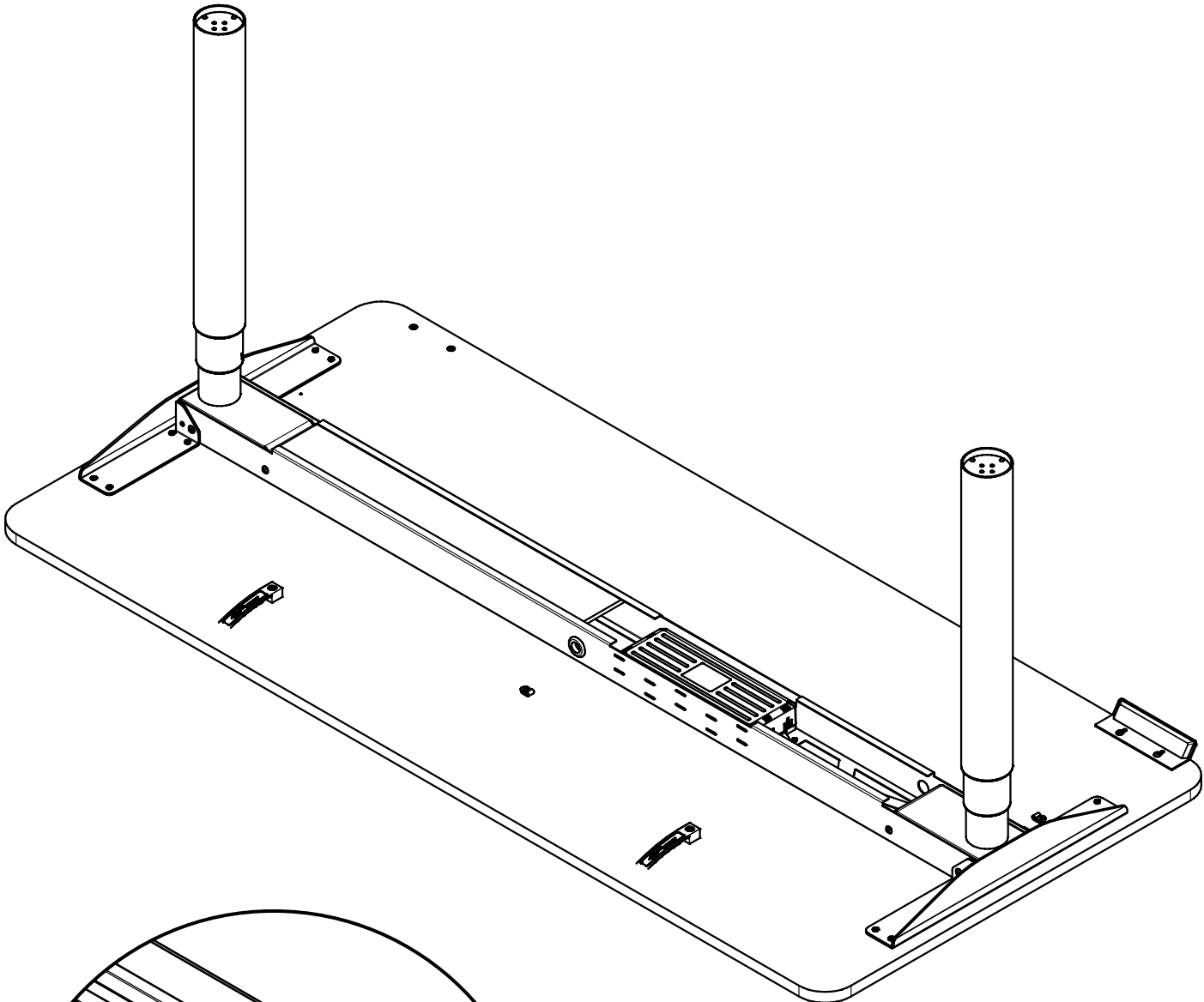
4b.



5.

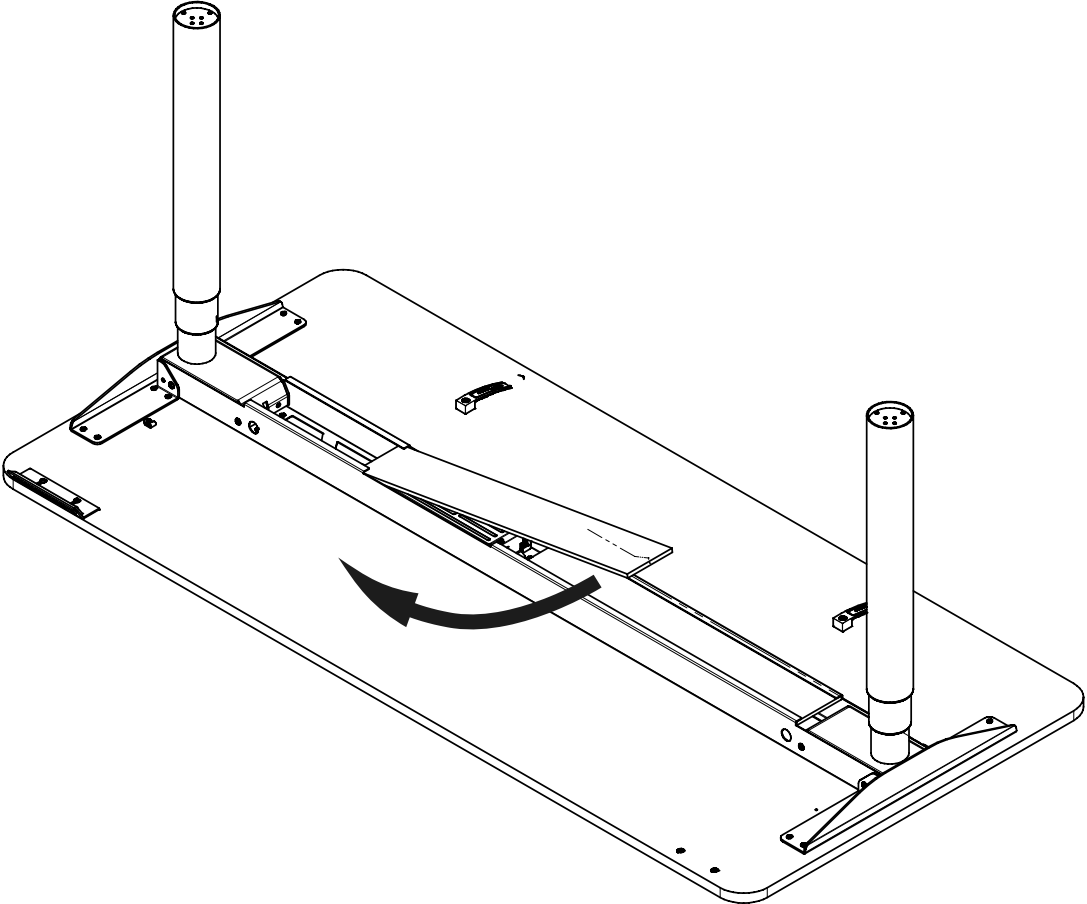


6.

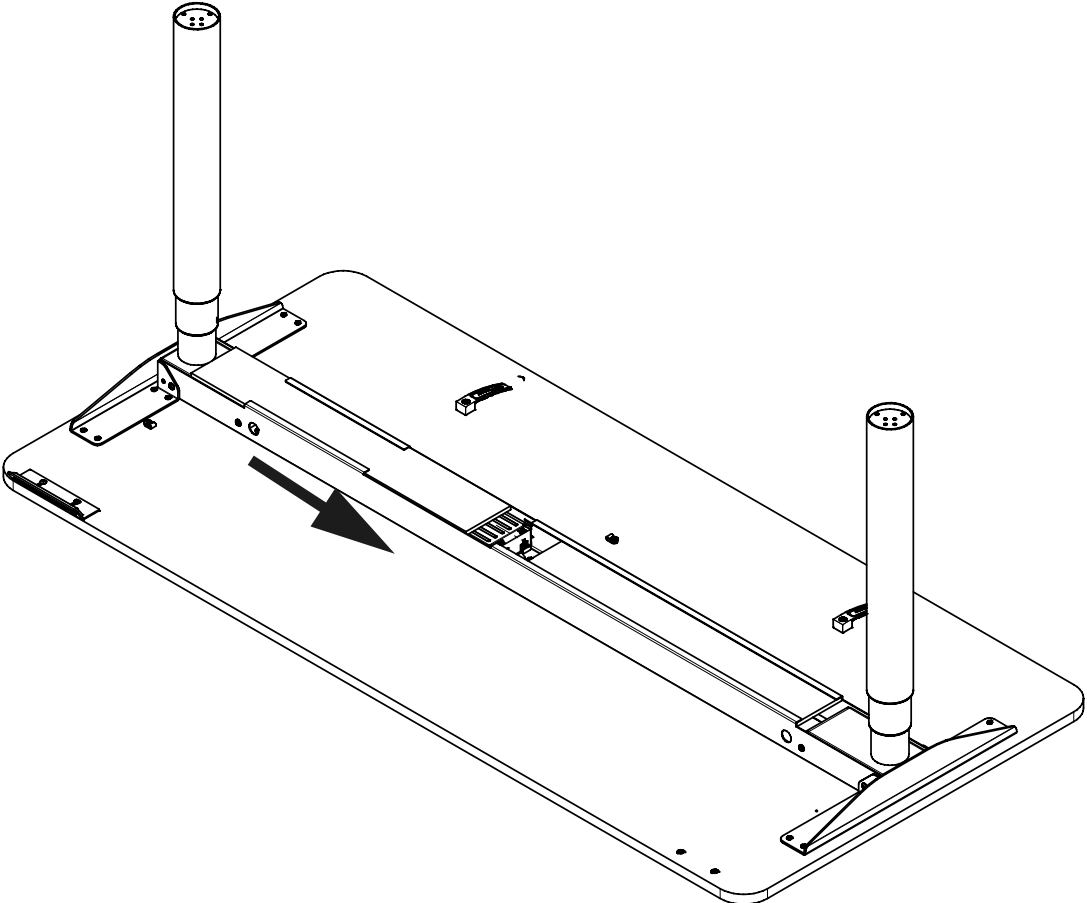


PLUG IN LEG CABLE TO M2

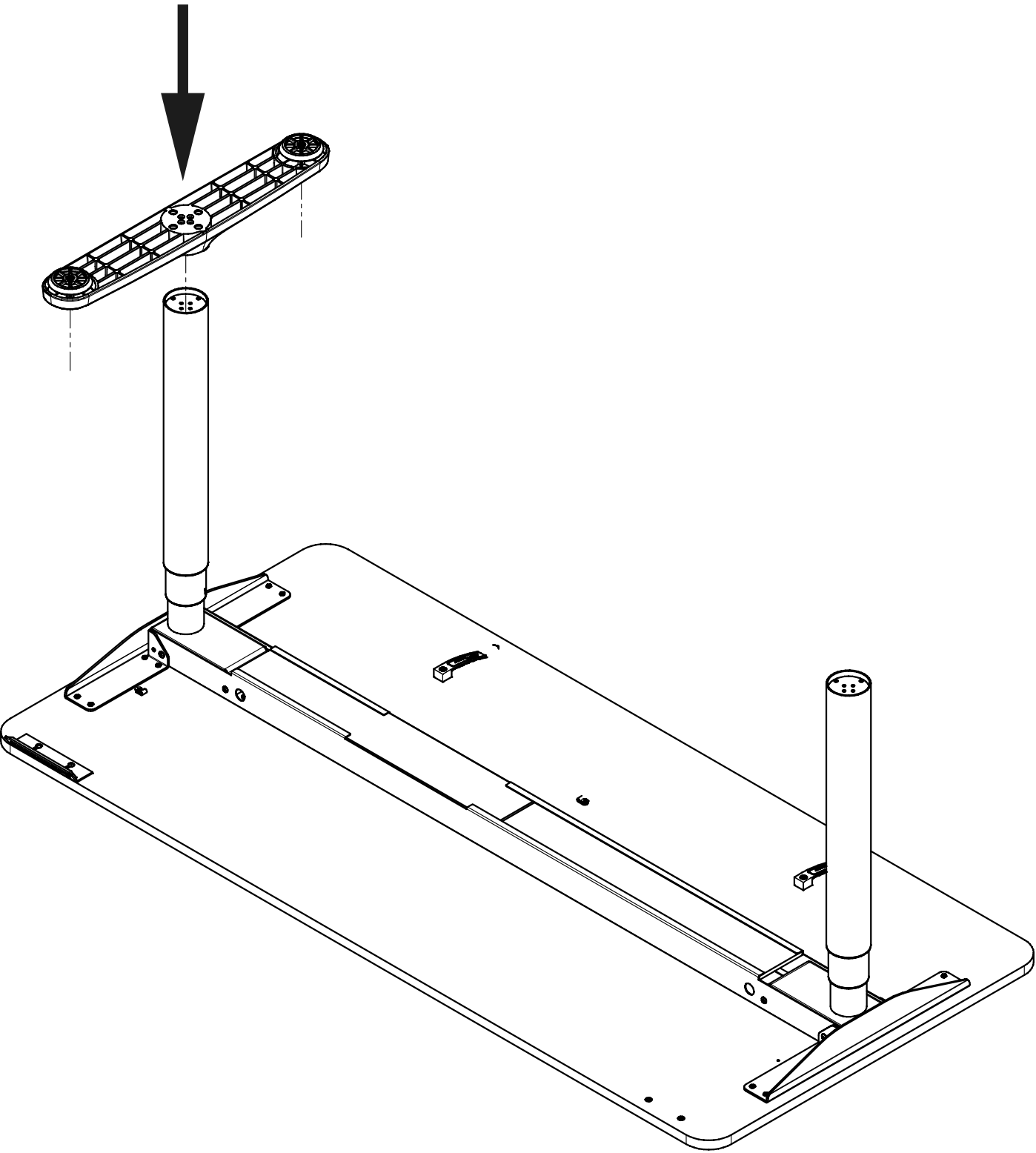
7.



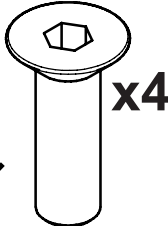
8.



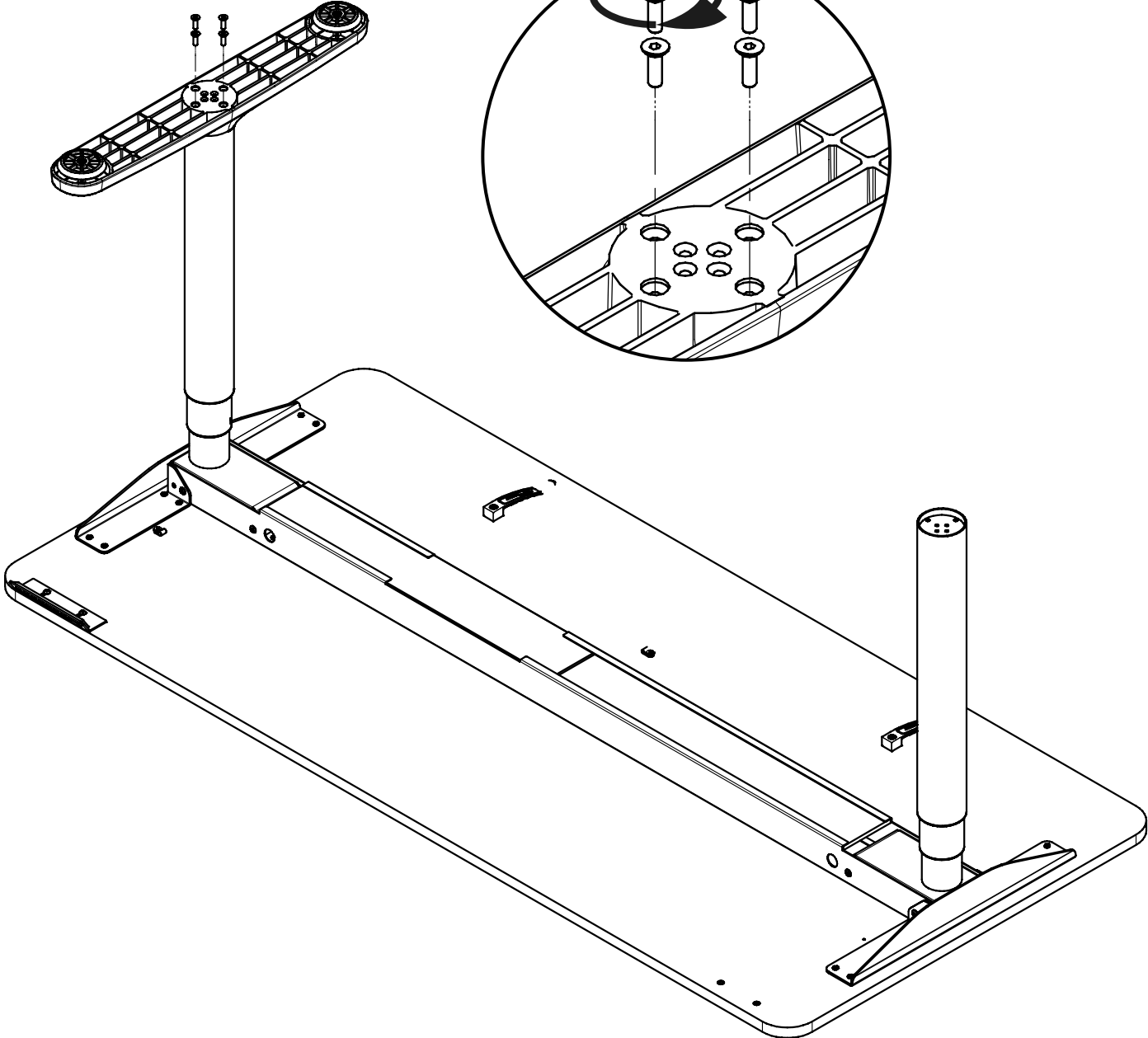
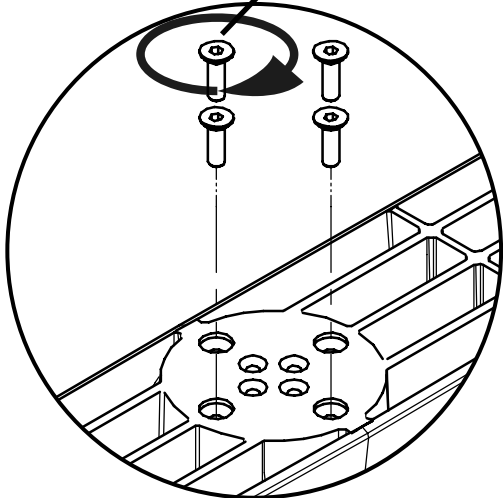
9.



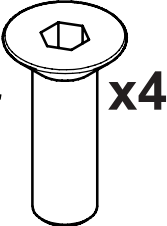
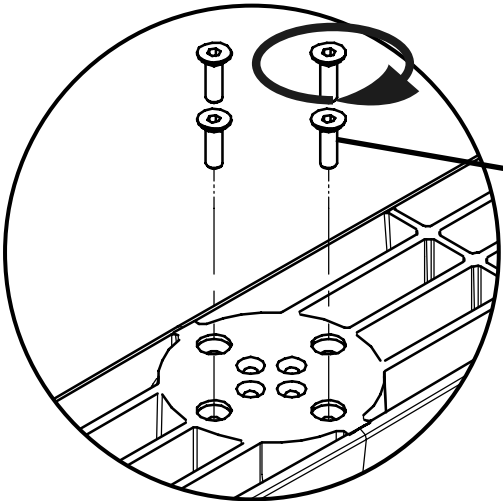
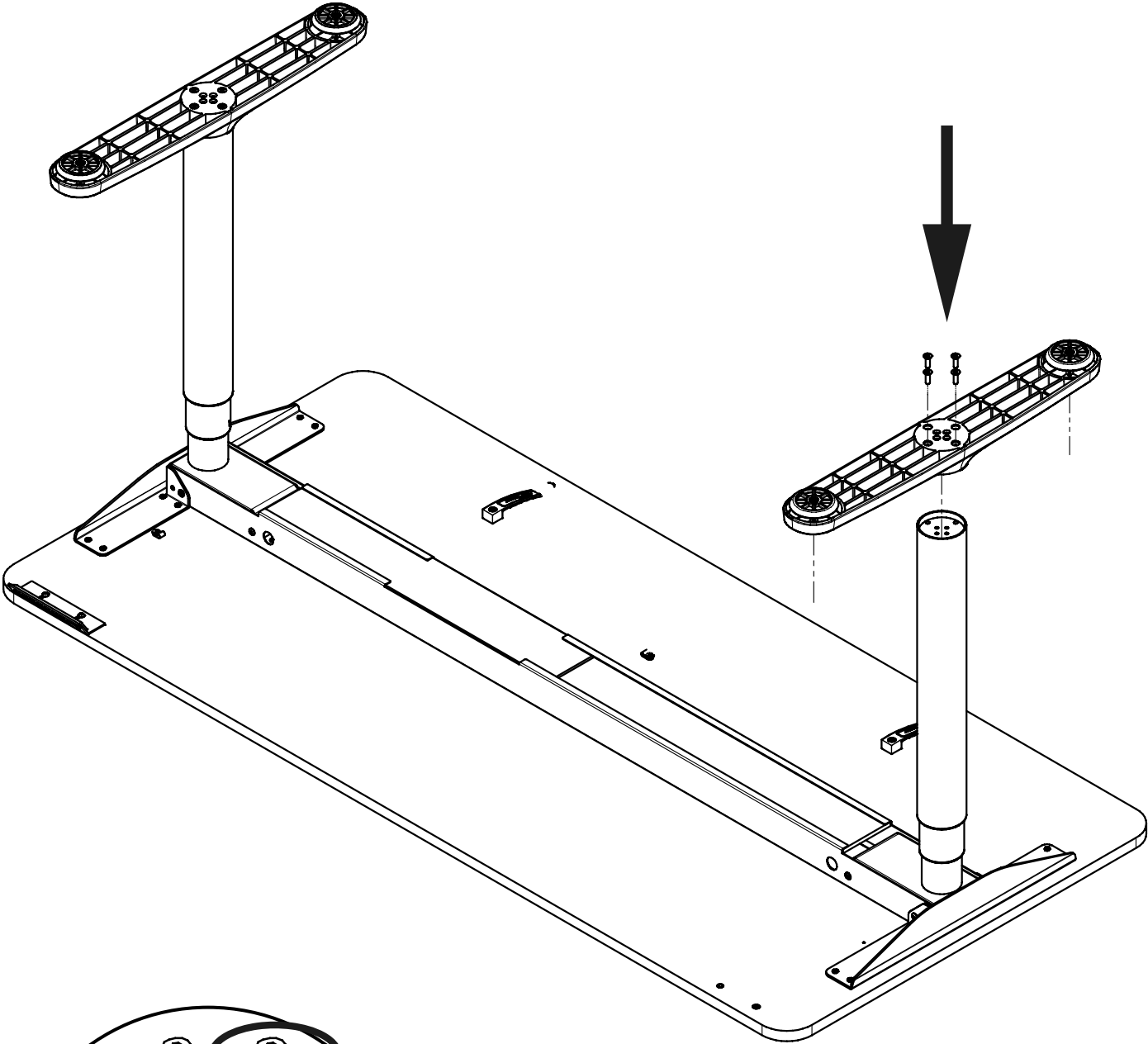
10.



NOTE: TIGHTEN ALL SCREWS

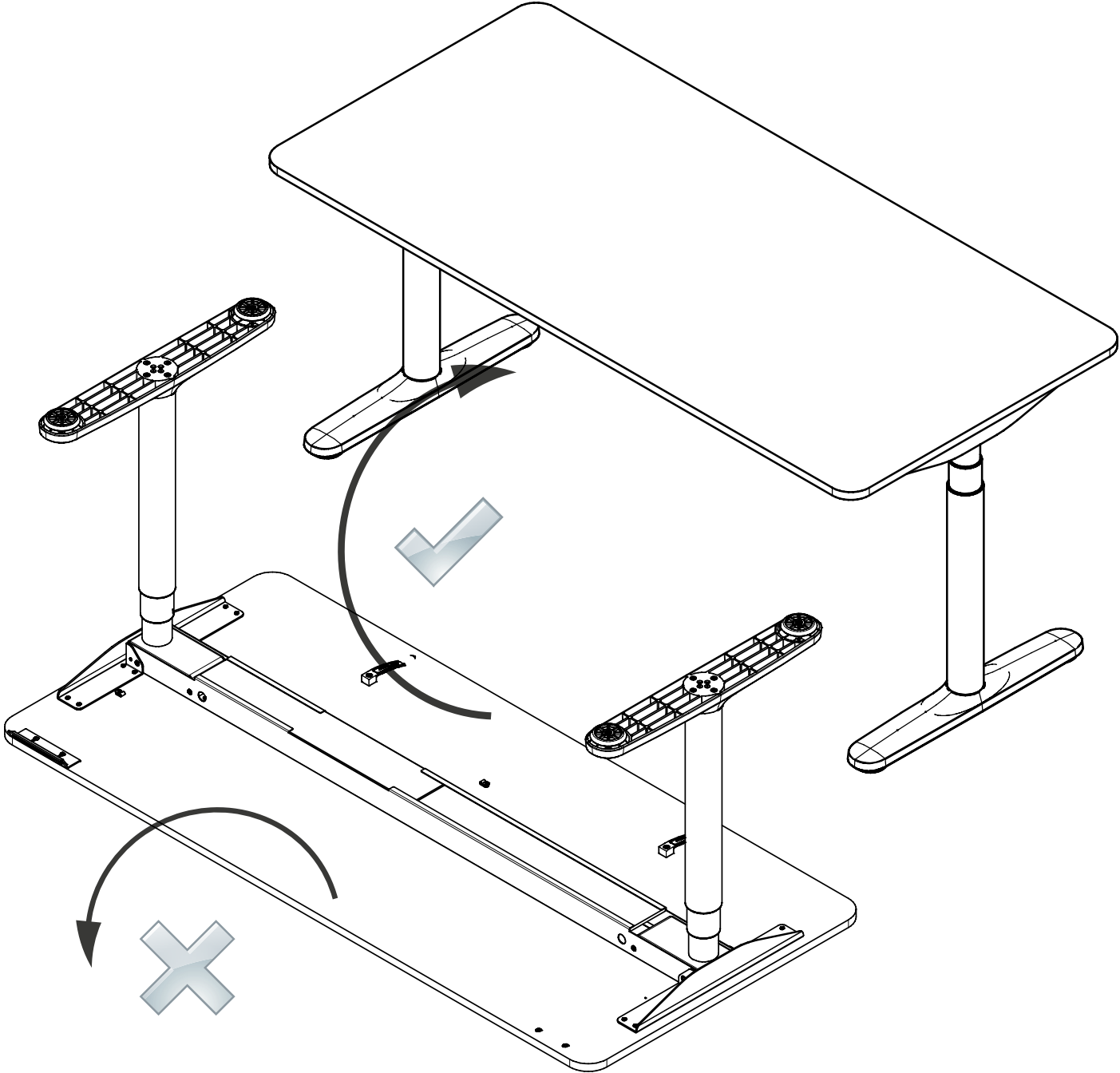


11.



NOTE: TIGHTEN ALL SCREWS

12.

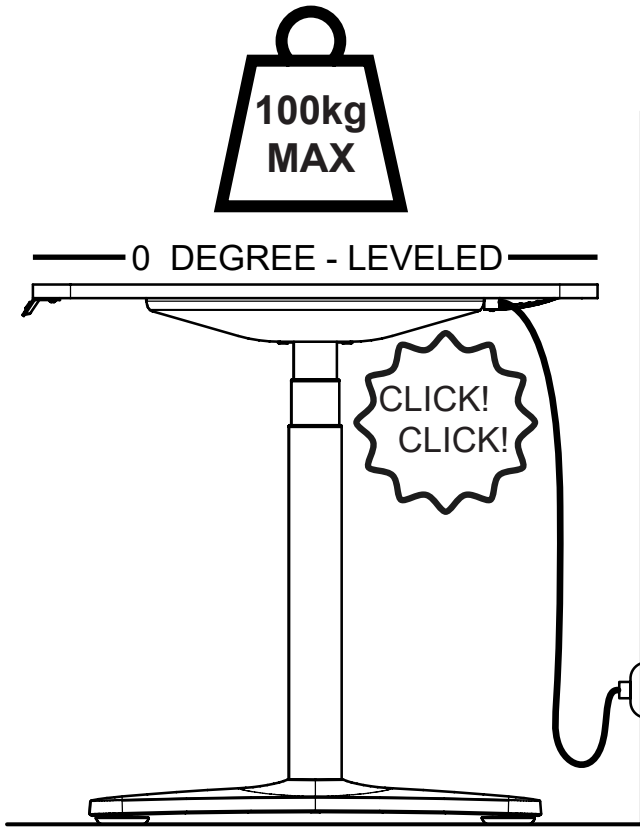


CAUTION: USE TWO PEOPLE WHEN
TURNING TABLE UPRIGHT

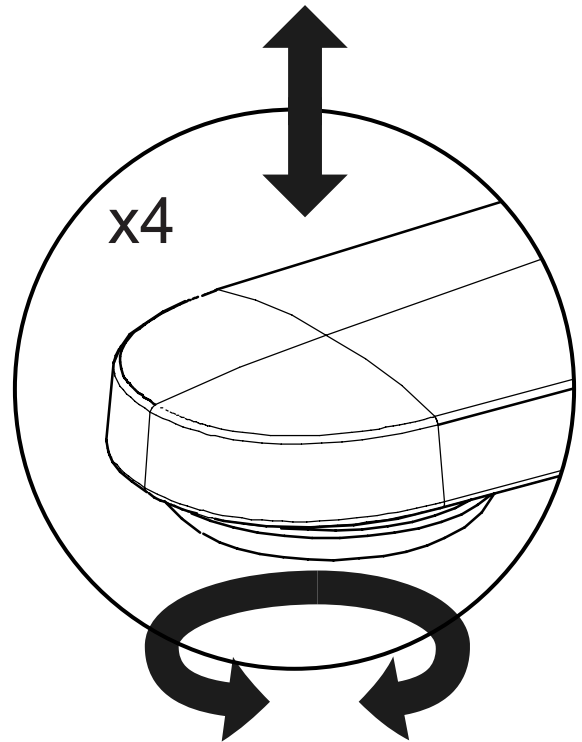


13.

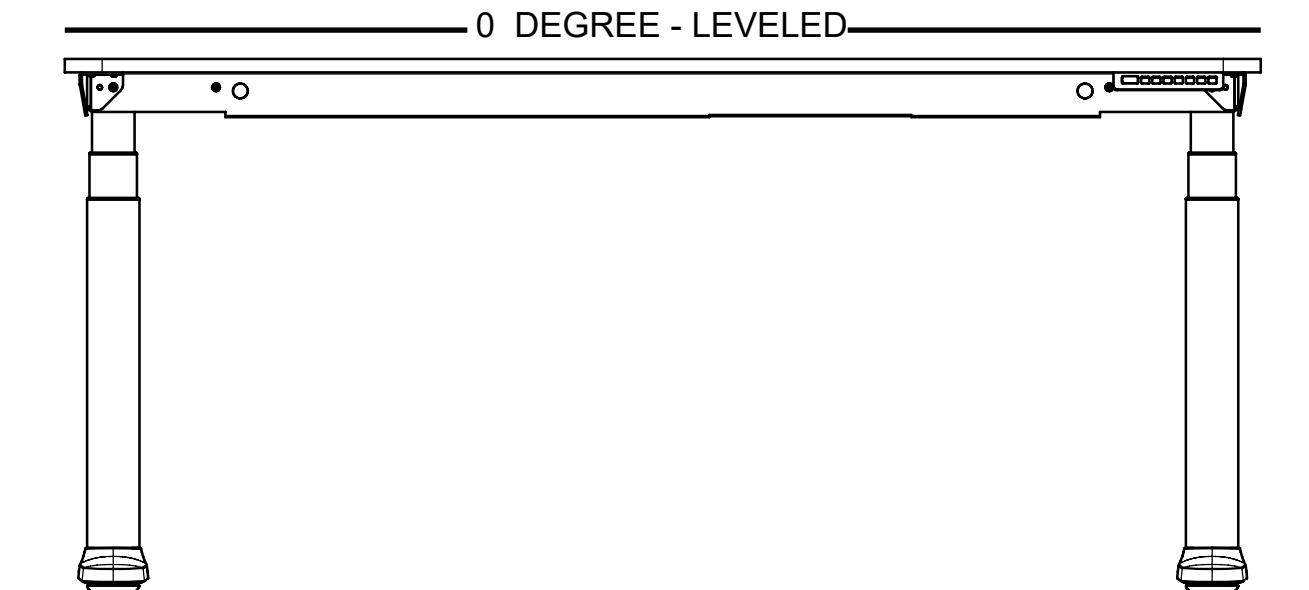
⚠ Make sure no obstacles are in the desk's path. **⚠** Make sure the desktop is not touching any walls.
Make sure all cords are appropriate length to accommodate the change in height.



PLUG POWER LEAD INTO
POWER SOURCE



TURN GLIDES TO
LEVEL TABLE



14.

Reset Procedure

⚠ Make sure no obstacles are in the desk's path. ⚠
⚠ Make sure the desktop is not touching any walls. ⚠
Make sure all cords are appropriate length to accommodate the change in height.

IMPORTANT: You must **RESET** the desk prior to use.


















1. Press and hold the DOWN button until the desk reaches the lowest height
2. Release the DOWN button
3. Press and hold the DOWN button again until the LED displays "RST" (or for non-display handsets, hold for approx. 10 seconds)
4. Release the DOWN button
5. Press and hold the DOWN button again until the desk lowers slightly, raises slightly, then stops
6. Release the DOWN button. The desk is now ready to use



Electric Adjust Desk Operating Instructions

- 1.1 Safety & Warnings
- 1.2 Reset Procedure
- 1.3 Handset Basic User Guide
- 1.4 Handset Detailed User Guide
- 1.5 Error Codes
- 1.6 Troubleshooting

1.1 Safety & Warnings

 <p>Make sure no obstacles are in the desk's path. Make sure the desktop is not touching any walls. Make sure all cords are appropriate length to accommodate the change in height.</p> 		<p>WARNING</p> <p>Pinch Point Keep hands and fingers clear.</p>
 <p>Keep children away from electric height-adjustable desks, control units and handsets. There is a risk of injury and electric shock.</p> 		
 <p>Keep all electrical components away from liquids.</p> 		
 <p>Do not sit or stand on the desk frame. Do not crawl or lie under the desk frame.</p> 		
 <p>Do not place any objects taller than 20" underneath the desk.</p> 		
 <p>Do not open any of the components - the Legs, Control Box, or Switch. There is a danger of electric shock.</p> 		
 <p>This product is designed with a duty cycle of 10% (2 min. on, 18 min. off).</p> 		
 <p>In the event of a power outage or if the power cord is unplugged, a manual reset may be necessary - see USE section.</p> 		

USE / LIABILITY

This height adjustable desk has electric motors and is designed for use in dry work areas only.

The desk height is adjustable so that it can be positioned at the most ergonomically suitable height.

Any other use is at user's risk.

Under no circumstances does the manufacturer accept warranty claims or liability claims for damages caused from improper use or handling of the desk frame.

1.2 Reset Procedure

⚠ Make sure no obstacles are in the desk's path. ⚠
⚠ Make sure the desktop is not touching any walls. ⚠
Make sure all cords are appropriate length to accommodate the change in height.

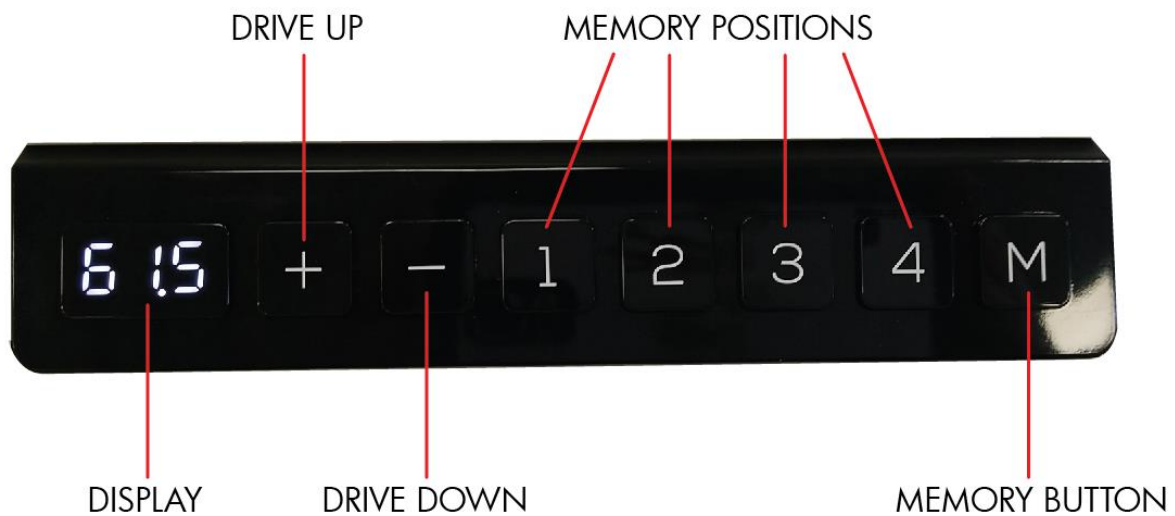
IMPORTANT: You must RESET the desk prior to use.

1. Press and hold the DOWN button until the desk reaches the lowest height
2. Release the DOWN button
3. Press and hold the DOWN button again until the LED displays "RST" (or for non-display handsets, hold for approx. 10 seconds)
4. Release the DOWN button
5. Press and hold the DOWN button again until the desk lowers slightly, raises slightly, then stops
6. Release the DOWN button. The desk is now ready to use



"RST"

1.3 Handset Basic User Guide



Driving Up/Down

Press and hold the UP or DOWN button until the desired desk height has been reached.

Saving a Memory Position

Adjust the desk until the desired height has been reached.

Press the "M" button, followed by a number 1, 2, 3 or 4.

The height will be saved for that number (any previously saved height for that number will be overridden)

Driving to a Memory Position

Press and hold the number of the desired memory position.

CAUTION: If the desk is programmed to automatically drive to the memory height, the button does not need to be held. Ensure no obstacles are in the desk's path before pressing the button.

1.4 Handset Detailed User Guide

Pedestal/Shelf Stop Positions

To set the UPPER/SHELF stop position:

- Use the UP/DOWN button to move the desk to the desired top height
- *Press the "M" button
- *Press the UP button
- *Press and hold the "M" button until the display shows "999"
- The upper limit is now saved

* These steps must be completed in quick succession

To set the LOWER/PEDESTAL stop position:

- Use the UP/DOWN button to move the desk to the desired bottom height
- *Press the "M" button
- *Press the DOWN button
- *Press and hold the "M" button until the display shows "000"
- The lower limit is now saved

* These steps must be completed in quick succession

To REMOVE the upper/lower stop positions:

- Press the "M" button, then release
- Within 5 seconds, press and hold the "M" button again until the display shows "555"
- The upper and lower limits are now removed

Adjusting the Display Readout

- If the displayed height does not match the physical height of the desk, lower the desk to the minimum height, then release the DOWN button
- Press and hold the DOWN button again until the display reads "RST"
- Press and hold the "M" button for approx. 5 seconds until the display starts flashing the desk height
- Press the UP button to INCREASE the displayed height, or the DOWN button to DECREASE the displayed height until the display matches the physical height of the desk
- Wait for approx. 5 seconds until the display returns to "RST". Complete the Reset Procedure by holding the DOWN button again until the desk lowers slightly, raises slightly, then stops

Automatic Drive Function

The desk can be set to automatically drive to memory positions.

This feature should be used with caution, ensure the users are aware of the safety precautions before activating the Automatic drive.

To switch between Automatic and Manual drive functions:

- Press the DOWN button until the display shows "RST"
- Press and hold the 1 button
- The display will show "10.1" or "10.2"
 - o 10.1 = Automatic Drive is now active
 - o 10.2 = Manual Drive is now active
- Finish the restart procedure by pressing and holding the DOWN button until the desk lowers slightly, raises slightly, then stops
- Repeat the process to switch the drive function

Adjusting the Collision Sensitivity

- Press and hold the DOWN button until the desk reaches the lowest height
- Release the DOWN button
- Press and hold the DOWN button again until the LED displays "RST"
- Press and hold the UP button for approx. 5 seconds until the LED displays either:
 - o 10.5 (10kgs pressure = most sensitivity)
 - o 10.6 (15kgs pressure = mid sensitivity)
 - o 10.7 (20kgs pressure = least sensitivity)
- Release the UP button. To change the sensitivity setting, repeat the process by pressing, holding and releasing the UP button
- The display will return to "RST". Complete the Reset Procedure by holding the DOWN button again until the desk lowers slightly, raises slightly, then stops

Other Specifications

Speed: 38mm per second (with no load)

Load Capacity: 1000N

Duty Cycle: 10% (2 mins on, 18 mins off)

1.5 Error Codes

Error Code	Error summary	Description
E01	M1 overcurrent protection	Perform Reset Procedure
E02	M2 overcurrent protection	Perform Reset Procedure
E03	M3 overcurrent protection	Perform Reset Procedure
E04	M4 overcurrent protection	Perform Reset Procedure
E05	M5 overcurrent protection	Perform Reset Procedure
E06	M6 overcurrent protection	Perform Reset Procedure
E07	M1 Hall Error	Perform Reset Procedure
E08	M2 Hall Error	Perform Reset Procedure
E09	M3 Hall Error	Perform Reset Procedure
E10	M4 Hall Error	Perform Reset Procedure
E11	M5 Hall Error	Perform Reset Procedure
E12	M6 Hall Error	Perform Reset Procedure
E13	Communication interrupted between controller A and B	Unplug control box, plug back in and Perform Reset Procedure
H01	Over-heat protection/Duty cycle protection	If desk is driven for 4 minutes continuously, it must rest for 16 minutes
LOC	Handset locked	Push and hold the M button, LOC comes up after 10 seconds. Hold the M button for around 10 seconds again and it unlocks.

1.6 Troubleshooting

- If the handset displays "RST", perform Reset Procedure
- If the handset displays error code E01 – E13, check all cable connections between legs and control box, then perform Reset Procedure
- If the legs differ in height by and excess of 1.5 inches, stop the Reset Procedure and contact XMV Factory Support

